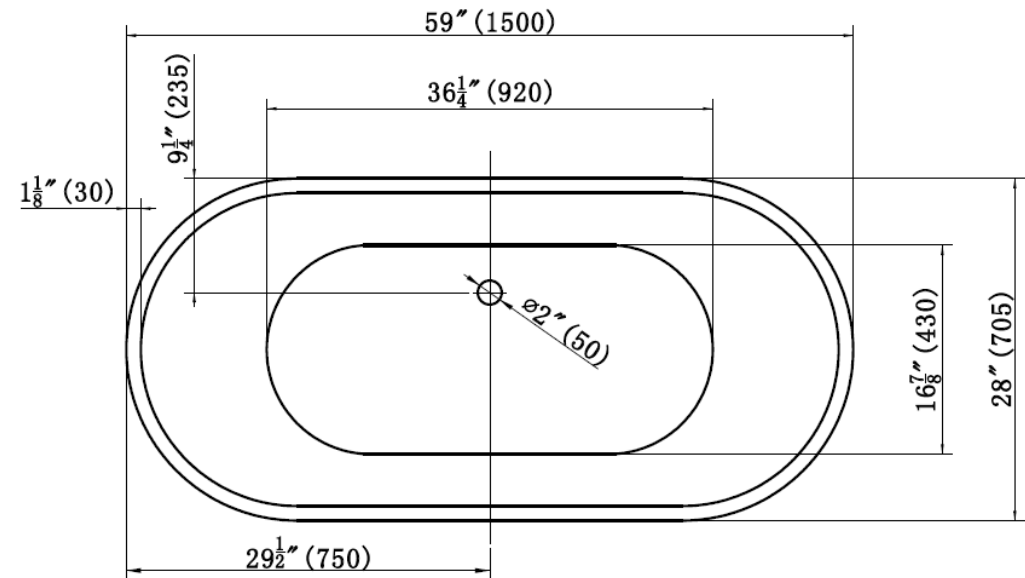
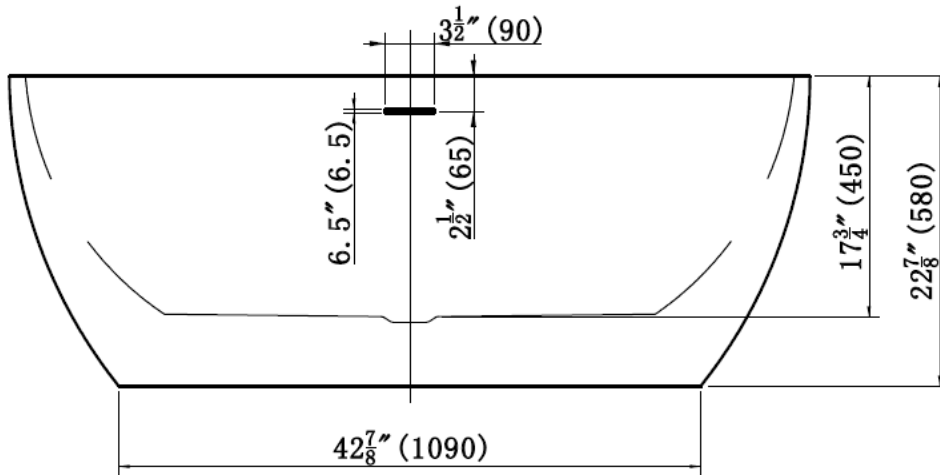


# EB40160



emory & bond

ATLANTIC SERIES  
FREE STANDING ACRYLIC TUB  
OVAL DESIGN  
SLOTTED OVERFLOW  
ROUND DRAINHOLE  
MEETS CUPC STANDARDS  
5 ADJUSTABLE SUPPORT FEET  
NOMINAL SIZE 60" X 28" X 23"



All pictures shown are for illustration purposes only.  
Actual product may vary due to product enhancement.

[www.emoryandbond.com](http://www.emoryandbond.com)

  @emoryandbond